

Tech Sheet: Airbus Helicopter UH-72A

(airbus-helicopter-AH72.pdf)



Bubble Cover w/ nose mounted radome & Upper Deck Plugs/Cover

Section 1: Cockpit/Bubble Covers

The **Airbus Helicopter UH-72A Bubble Cover** helps reduce damage to the upholstery and avionics caused by excessive heat and can eliminate problems caused by leaking door and window seals. They keep the windshield and window surfaces clean and help prevent vandalism and theft.

The **Bubble Cover** encloses the entire canopy including the windshield, skylights, and chin bubble. Attachment buckles are made of nonmetal *Delrin*, designed for rugged outdoor use. Both the top and bottom hems of the cover have a special rope-hem feature with which they can be tightened to help prevent abrasive chafing of the windshield. Pockets are sewn into the cover for the temperature probe and pitot tubes. The bubble cover is reinforced with patches at hinge points, door handles, and for the windshield wipers. For ease of installation, the bubble cover is color-coded (red=left, green=right) with color swatches sewn into the corners.

This cover type is made from Silver Acrylic Sunbrella canvas and is 100% lined with a soft and smooth microfiber. Bruce's Custom Covers developed this material combination especially for aircraft protection. The outer material is medium weight and treated for water resistance, UV resistance and anti-static buildup. The inner lining is a very soft and smooth microfiber to prevent scratching. The material is very reflective, and tests show that the cabin interior temperature can be reduced to near-ambient temperature on the hottest of days. It is water, ice and snow repellent, yet breathable to allow moisture to escape from between the cover and the aircraft surface.

The **Airbus Helicopter UH-72A Windshield/Nose Cover** is designed to cover the windshield and side windows of the cockpit, and extends forward to cover the nose.

This cover type is made from Silver Acrylic Sunbrella canvas and is 100% lined with a soft and smooth microfiber. Bruce's Custom

Covers developed this material combination especially for aircraft protection. The outer material is medium weight and treated for water resistance, UV resistance and anti-static buildup. The inner lining is a very soft and smooth microfiber to prevent scratching. The material is very reflective, and tests show that the cabin interior temperature can be reduced to near-ambient temperature on the hottest of days. It is water, ice and snow repellent, yet breathable to allow moisture to escape from between the cover and the aircraft surface.



Main Body (also covers bottom), Tailboom, Vertical Pylon, Stabilizers and Tail Rotor Covers



Eurocopter EC-145 Main Body Cover, also covers the bottom belly

Description	Part Number	Price
BUBBLE COVER	AH72-000	Contact Us
BUBBLE COVER (with Wire Strike)	AH72-001	Contact Us
BUBBLE COVER, w/nosemount radome & WSPS	AH72-005	Contact Us
WINDSHIELD/NOSE COVER, std nose configuration	AH72-010	Contact Us
WINDSHIELD/NOSE COVER, w/nosemount radome & WSPS	AH72-011	Contact Us
MAIN BODY COVER (does not cover bottom)	AH72-020	Contact Us
MAIN BODY COVER (also covers bottom)	AH72-025	Contact Us

Section 2: Engine/Tail Rotor Covers

Blade Tie-Downs are "socks" which fit over the blade tip with or without Blade Covers installed. Front blade tie-downs have two lengths of rope or strap which attaches to the front cross tubes on either side of the cabin. The other tie-downs have generous lengths of rope or strap to tie the blades down at any convenient spot.

Engine Cover details vary by model, but generally these covers are designed to enclose and protect the swash plate, inlet, exhaust and engine access areas. They are designed to tighten up around the main rotor drive shaft and tailboom bottleneck areas, and attach securely with straps either under the belly or to the land gear cross tubes (or both). *Delrin* buckles are used to tighten the attachment straps. The engine cover is made of Solution-Dyed Polyester or acrylic *Sunbrella*, and is available in a variety of colors ([contact us for details]/(contact)). Specific information for each model is available on request.

Rotor Hub Covers overlaps with the Blade Covers to ensure complete protection for the entire main rotor system. Designed like a jacket with sleeves and no collar, the rotor hub cover fastens together below each blade with *Delrin* buckles. The Rotor Hub Cover is normally made from Solution-Dyed Polyester.

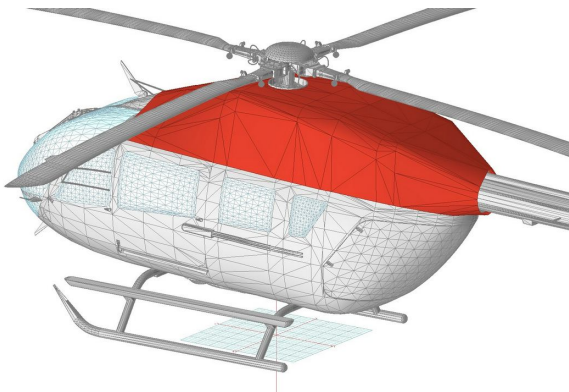
Bruce's **Airbus Helicopter UH-72A Blade Covers** are made of medium-weight Solution-Dyed Polyester and designed to avoid trim tabs or wicks. You can install Blade Covers from the ground with the aid of a lightweight rope attached to the open end. Covers are cinched tight at the blade root with straps and quick-release plastic buckles. The **Cold Weather Blade Covers** are fitted with full-length zippers and optional deice "boots" designed to accept a preheater hose; a small opening at the tip of the cover allows for some air circulation and drainage in freezing weather. Some part numbers have features for an extra charge.

The **Airbus Helicopter UH-72A Tail Rotor Cover** is a one-piece design which encloses both the blades and their hub, snapping closed along the bottom edge. The tail rotor cover is normally made from Solution-Dyed Polyester.

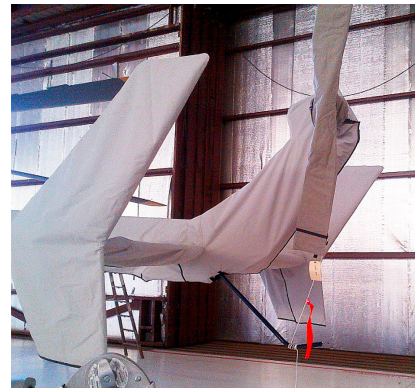
ALL-YEAR USE MATERIAL - Made with Silver Acrylic Sunbrella canvas, the all-year use material is the best option for sun protection and cover longevity. This heavier more durable material is intended for all weather conditions, such as rain and snow or lots of sun.

WINTER USE MATERIAL - Made with Solution-Dyed Polyester fabric, this option is intended for seasonal use to aid in deicing, rain mitigation, or for occasional travel. The material is lighter and more compact, but more susceptible to UV damage and may have a shorter useful life if used continuously outside than the all-year use material.

The **Engine Inlet Plugs** are custom fit for your Airbus Helicopter UH-72A intakes, made with heavy-duty vinyl material, and stuffed with a single block of sculpted urethane foam. Each plug has a zipper that allows the foam to be removed and dried if necessary. Engine plugs have 'Remove Before Flight' streamers sewn onto the face of the plugs. Most plugs are imprinted with the aircraft registration number in black for an extra charge. Storage bag NOT included. Engine plugs may be inserted after flight when the engine is still warm. Engine Inlet Plugs are commonly referred to as Cowl Plugs, Intake Plugs, Cowl Blocks, Engine Blocks, and Engine Bungs.



Intake/Exhaust Engine Area Cover, 3D Rendering



Tail Rotor Cover & Tailboom, Vertical Pylon & Stabilizers Cover

Description	Part Number	Price
INTAKE/EXHAUST/ENGINE AREA COVER	AH72-100	Contact Us
EXHAUST COVERS (set of 2)	AH72-120	Contact Us
UPPER DECK PLUGS/COVER	AH72-150	Contact Us
UPPER DECK PLUGS/COVER, extended to cover aft intake vents	AH72-155	Contact Us
BLADE COVERS, special detail for fixed static wick (set of 4)	AH72-200	Contact Us
BLADE COVERS, special detail for fixed static wick (Cold Weather Type) (set of 4)	AH72-205	Contact Us
BLADE TIE-DOWNS (fabric type) (set of 4)	AH72-220	Contact Us
ROTOR HUB COVER	AH72-300	Contact Us
ROTOR HUB COVER, Extended to cover counterweights	AH72-310	Contact Us
TAIL ROTOR COVER	AH72-600	Contact Us

Section 3: Plugs & Protection

Airbus Helicopter UH-72A Pitot Tube Covers, NOT HEAT RESISTANT TYPE, are made of Naugahyde vinyl, and are designed to cover the entire pitot assembly. Slipping over the tube, the cover tightens around the base with a Velcro strap detail. A "Remove Before Flight" streamer is attached to the cover. **Heat Resistant Pitot Covers** are an upgrade to this design, and help prevent the

pitot cover from melting onto the tube if the pitot heat is accidentally turned on while installed. If you want the set tethered together, please let us know.

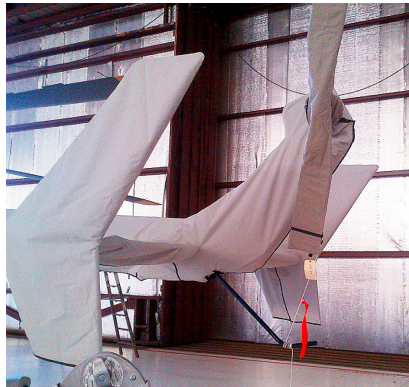
The **Engine Exhaust Plugs** are custom fit for your Airbus Helicopter UH-72A exhaust openings, made with heavy-duty vinyl material, and stuffed with a single block of sculpted urethane foam. Exhaust plugs have 'Remove Before Flight' streamers sewn onto the face of the plugs. Exhaust plugs may be inserted soon after flight when the engine is still warm. Engine Inlet Plugs are commonly referred to as Cowl Plugs, Intake Plugs, Cowl Blocks, Engine Blocks, and Engine Bungs.

The **Engine Inlet Plugs** are custom fit for your Airbus Helicopter UH-72A intakes, made with heavy-duty vinyl material, and stuffed with a single block of sculpted urethane foam. Each plug has a zipper that allows the foam to be removed and dried if necessary. Engine plugs have 'Remove Before Flight' streamers sewn onto the face of the plugs. Most plugs are imprinted with the aircraft registration number in black for an extra charge. Storage bag NOT included. Engine plugs may be inserted after flight when the engine is still warm. Engine Inlet Plugs are commonly referred to as Cowl Plugs, Intake Plugs, Cowl Blocks, Engine Blocks, and Engine Bungs.

Description	Part Number	Price
INTAKE PLUGS (set of 2)	AH72-110	Contact Us
EXHAUST PLUGS (set of 2)	AH72-125	Contact Us
FRESH AIR INLET PLUGS, on belly of nose (set of 2)	AH72-130	Contact Us
PITOT COVERS (set of 2)	AH72-700	Contact Us

Section 4: Tailboom Covers

The **Tailboom Cover** details vary by model, but generally the helicopter tail boom cover encloses the tail boom from the "bottleneck" to the aft end. They usually also cover the horizontal stabilizers, and are custom made to allow for antennae, lights, and other protrusions. They attach with straps underneath the tail boom. Covers for the vertical and horizontal stabilizers are also available separately. Specific information for each model is available on request.



Tail Rotor Cover & Tailboom, Vertical Pylon & Stabilizers Cover

Description	Part Number	Price
TAILBOOM/STABILIZER COVER	AH72-650	Contact Us

Section 5: HeatShields & Sun Reflectors

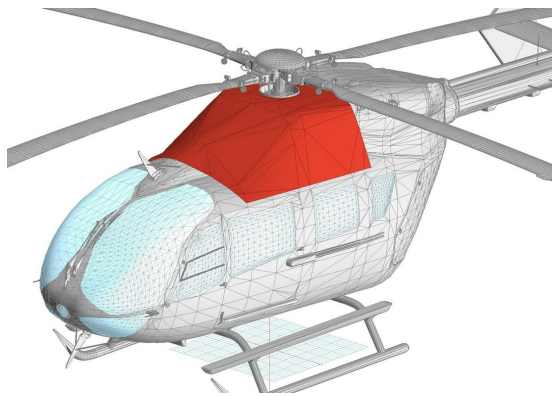
Cockpit Heatshields are interior sunshades for the aircraft's cockpit. The product is a unique composite of closed-cell foam with a silver mylar finish. The semi-rigid design is stiff enough to stand inside the window framing. Darts and folds are incorporated into the material so that it conforms to the complex shape of the helicopter windows. The set folds up flat and is easily stored in the included storage sleeve. Some designs may require velcro and suction cups. A Heatshield is an excellent short-term remedy for cockpit

overheating, but an external fabric cover is more effective for long-term protection.

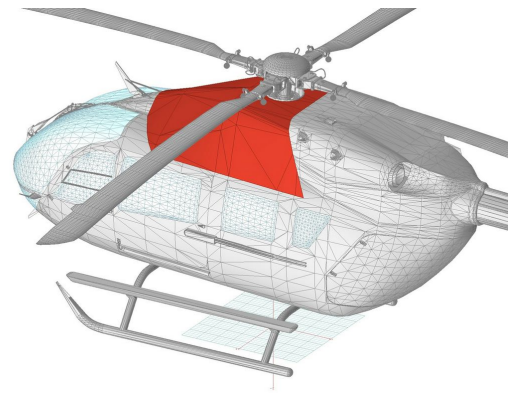
Heatshields are interior sunshades for an aircraft's windows or canopy glass. The product is a unique composite of closed-cell foam with a silver mylar finish. The semi-rigid design is stiff enough to stand along the inside of the windshield using sun visors or window framing. It folds up flat and easily stores in the included storage sleeve. Some designs may require velcro and suction cups. A Heatshield is an excellent short-term remedy for cockpit overheating.

Description	Part Number	Price
HEATSHIELDS (EXCLUDES chin bubble windows) (set of 10)	AH72-900	Contact Us
HEATSHIELDS (INCLUDES chin bubble windows) (set of 12)	AH72-910	Contact Us
WINDSHIELD HEATSHIELDS (set of 2)	AH72-915	Contact Us

Section 6: Miscellaneous Products



Barrier Inlet Filter Cover, 3D Rendering



Barrier Inlet Filter Cover, 3D Rendering

Description	Part Number	Price
BARRIER INLET FILTER COVER	AH72-105	Contact Us

Section 7: Light Weight Products: Travel Covers and FlyAway Covers

The **Airbus Helicopter UH-72A Lightweight Travel Bubble Cover** is the same design as our standard bubble cover, but the material used is very lightweight and will fold up and store in a smaller space.

Travel Covers are made with Silver Solution-Dyed Polyester fabric and fully lined over the entire cover. The material is lightweight and more compact for easy stowage in the aircraft. The polyester material is water resistant, but only intended for occasional use outside. We also have an ultra lightweight material available for fitted hangar dust covers. For daily outdoor use, the non-travel Sunbrella Cover is the best choice.

The **Airbus Helicopter UH-72A Windshield/Nose Cover** is designed to cover the windshield and side windows of the cockpit, and extends forward to cover the nose.

This cover type is made from Silver Acrylic Sunbrella canvas and is 100% lined with a soft and smooth microfiber. Bruce's Custom Covers developed this material combination especially for aircraft protection. The outer material is medium weight and treated for water resistance, UV resistance and anti-static buildup. The inner lining is a very soft and smooth microfiber to prevent scratching. The material is very reflective, and tests show that the cabin interior temperature can be reduced to near-ambient temperature on the hottest of days. It is water, ice and snow repellent, yet breathable to allow moisture to escape from between the cover and the aircraft surface.



Bubble Cover w/ nose mounted radome & Upper Deck Plugs/Cover



EC-145 Windshield/Nose Cover (illustration)

Description	Part Number	Price
TRAVEL COVER, Light Weight Travel Bubble Cover	AH72-800	Contact Us
TRAVEL COVER, Light Weight Travel Bubble Cover, w/nosemount radome & WSPS	AH72-810	Contact Us
TRAVEL COVER, Light Weight Travel Windshield/Nose Cover, Std Nose Configuration	AH72-820	Contact Us
TRAVEL COVER, Light Weight Travel Windshield/Nose Cover, W/Nosemount Radome & Wsps	AH72-830	Contact Us

Section 10: Inside the Hangar

****Padded Door Bags*** are designed to provide portable protection of the doors when they are removed from the aircraft. They are padded to moderate thickness, zippered closed, and have sturdy carry handles for easy transport.



MD 500D Padded Door Bags



Eurocopter EC-145 Padded Bags for Removable Doors

Description	Part Number	Price
PROTECTIVE BAGS FOR REMOVABLE AFT DOORS, padded (set of 2)	AH72-095	Contact Us
PROTECTIVE BAGS FOR REMOVABLE FWD DOORS, padded (set of 2)	AH72-096	Contact Us

Prices subject to change. Other Covers and Design Alterations: Prices on request. Prices are FOB Morgan Hill, CA. Sales tax on orders shipped to California addresses. Orders take approximately 3 weeks to complete. For domestic orders we normally ship by UPS ground service. Next day shipping and air parcel post is available on request. We can take payment by Visa, Mastercard, American Express, or Discover.

Bruce's Custom Covers offers protective covers and plugs for virtually every type of airplane, jet and helicopter. If you have questions about our products please call any time TOLL FREE: 800/777-6405, or FAX: 408/738-2729.



A division of Aircraft Covers, Inc.

18850 Adams Ct.
Morgan Hill, CA 95037
www.AircraftCovers.com

Aircraft Cover Ordering Form

Customer Info	Name _____
	Shipping Address _____ _____
	Phone & Email _____
Payment	Credit Card Number <input type="text"/> <input type="text"/> <input type="text"/> <input type="text"/> <input type="text"/> <input type="text"/> <input type="text"/> <input type="text"/> <input type="text"/> <input type="text"/> <input type="text"/> <input type="text"/> <input type="text"/> <input type="text"/> <input type="text"/> <input type="text"/> <input type="text"/> <input type="text"/>
	Exp. Date <input type="text"/> <input type="text"/> / <input type="text"/> <input type="text"/> V-Code* <input type="text"/> <input type="text"/> <input type="text"/> <input type="text"/>
	<small>*Visa, Mastercard, Discover: last 3 numbers on back of card, right of signature. Amex: 4 smaller numbers printed on face of card.</small>
A/C Info	Reg / Tail Number: _____ Aircraft Type: _____ Year: _____
	Colors / Paint Scheme (be specific): _____

Please specify below the items you would like to order.

See technical sheet or visit our website for part numbers (or just fill in the description)

	Part Number	Quant	Description	Price
1				
2				
3				
4				
5				
6				
7				
8				
9				
10				

TOTAL	
-------	--

Optional Items (check the box of the item you want)	
<input type="checkbox"/>	Imprint aircraft registration number onto both sides of canopy cover.....\$35.00
<input type="checkbox"/>	Imprint aircraft registration number onto jet intake covers.....\$55.00

Ph: 408/738-3959 • Toll Free: 800/777-6405 • Fax: 408/738-2729 • bruce@aircraftcovers.com